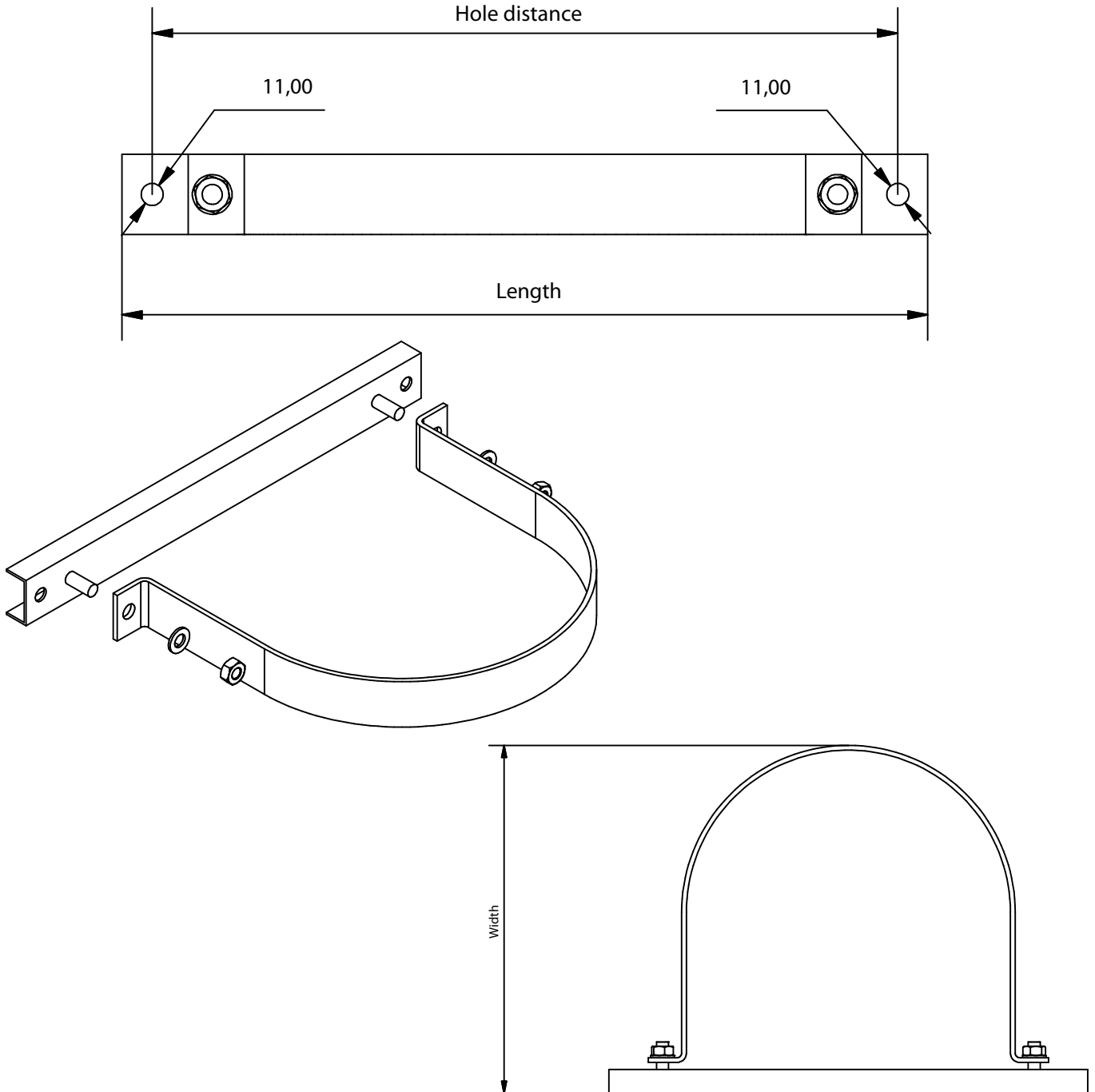


# IRONWORK AUTONOMOUS CYLINDER



Specifications	
Name	Value
Finished	Black paint ( RAL 9005 )

Reference	Capacity (L.)	Length (mm)	Width (mm)	Hole distance (mm)
H402	80	402	292	372
H120	120	536	384	496
H120	140	536	384	496



Av. Alfonso Peña Boeuf, 6 y 9  
 28022 MADRID - ESPAÑA  
 TEL: +34 913121656  
 FAX: +34 913295820

## DATA SHEET

### IRONWORK AUTONOMOUS CYLINDER

Description: Element used to anchor the cylinder to the wall.

Code sheet:	Group sheet:	Reference:	Drawn:	Date:	Revised:	Date:	Review:	Format:
AEX-FTC-09-021	IG-55	VER TABLA	DCM	27/08/2015	MRC	27/08/2015	1	A4